


# FIXED PLATE INSTALLATION FOR STRAIGHT TRUCKS

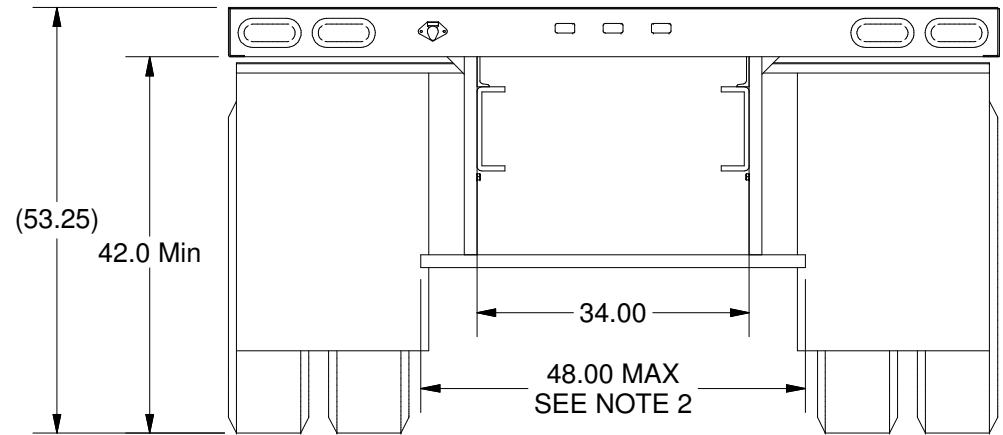
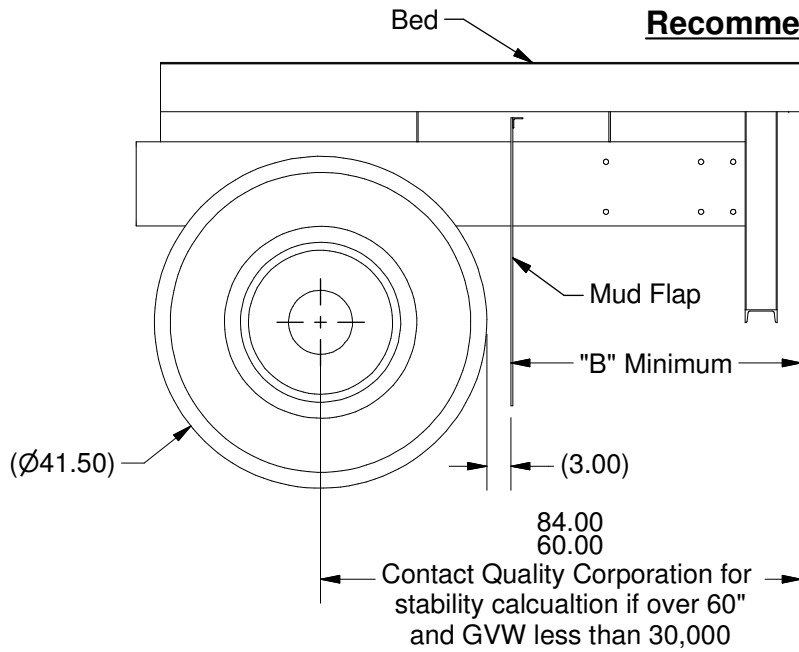
For straight trucks only, not for trailers. For single stage and two stage mast forklifts.  
Dump Bodies require special construction, contact Quality Corporation for specific instructions.

## IMPORTANT

- A. Safe and reliable operation of Donkey mounting kits require proper installation. The kit must be installed by a technician with sufficient skills to understand the installation and operation of the mount along with the equipment required to install it. Improper installation can result in serious injury or death.
- B. Welding is required to install the mounting kit. Welders must be qualified to complete out of position welds. Use .035 ER70S-6 solid core welding wire or equivalent. Check the OEM vehicle manual for any special requirements prior to welding. Always disconnect the vehicle battery before welding. Remove, relocate or protect wiring, lights, hoses, deck boards and other parts and materials that may be damaged by heat from welding or cutting.
- C. Before modifying the vehicle, make certain the modifications meet the specifications of the vehicle and body manufacturers and will not void their warranties.
- D. When installed, this mounting kit must not alter or prevent vehicle compliance to any existing state or federal standards. The chassis manufacturers recommendations should be consulted for compliance.
- E. The mounting kit must be attached to a vehicle suitable for carrying the forklift and load in a safe manner. When determining load distributions for the vehicle be sure to include the weight of the Donkey and mounting kit. Also ensure the Donkey and mounting kit does not unweight the front of the vehicle and make driving unsafe.
- F. Ensure there is sufficient clearance under the vehicle for the Donkey's drive wheels, chaincases and forks.
- G. The vehicle chassis channels and bed long sills should terminate equally at the end of the vehicle.
- H. The vehicle chassis and structure supporting the mounting kit must be capable of withstanding a load of 12,000 lbs concentrated 23 inches behind the end of the bed.
- I. Minimum Resistance to Bending Moment required is 590,000 inch-pounds.
- J. Bed cross members must be securely fastened to the long sills with full welds and gussets. The crossmembers must be able to carry an upward load of 7000 lbs for each of the Donkey's drive wheels. If the bed crossmembers cannot support this load a tire rest support kit must be used. This kit can be ordered from Quality Corporation's Parts Department (800-383-3018).
- K. This drawing shows typical installations. Many variations of trucks and trailers may be encountered. Contact Quality Corporation's Engineering Department (1-800-383-3018) with any questions regarding the installation of the mounting kit.
- L. Do not use Tag Axles behind main axle.

DRAWN Dan Salmore					<b>Quality Corporation</b> 2401 S Delaware St. Denver, CO 80223	
APPROVED & DATE						
TOLERANCES				PAPER SIZE	PART DESCRIPTION	PART NUMBER
.X= ± 0.060				A	Donkey Forklift Mount Installation Instructions - Fixed Plates	101455QV
.XX= ± 0.030						
.XXX= ± 0.010				DATE: 4/24/2015	SCALE: None	SHEET 1 OF 6
-	Released	15-0064	06/05/2015	DJS		
Rev.	Revision Description	ECN #	Rev. Date	Rev. By		

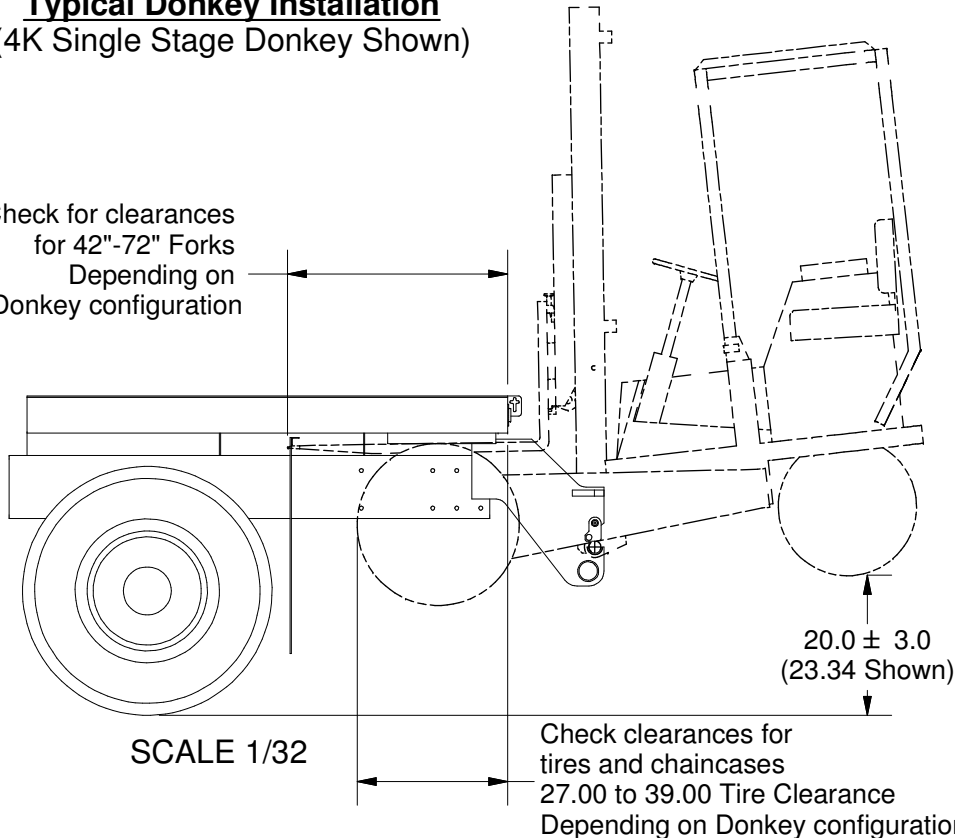
## Recommended Truck Dimensions



Model	"B" Dim
All -3K, -3BK, -4K, and -4.5K	30.00
All -5K	32.00
All -4CH	38.00

## Typical Donkey Installation (4K Single Stage Donkey Shown)

Check for clearances  
for 42"-72" Forks  
Depending on  
Donkey configuration



### General Procedure

1. Remove tail lights and other wiring from end of bed.
  2. Cut away obstructing parts, such as the underride horizontal extension. Reinforce structure as necessary
- NOTE: For items 3, 4, & 5: Use tack welds sufficient to hold weight of forklift for test fit.
3. Tack in plates. Step 1, Sheet 3.
  4. Tack in cross members. Step 2, Sheet 4.
  5. Tack in fork stop and tire rests. Step 3, Sheet 5.
  6. Load forklift and check dimensions, Sheet 2.
  7. Adjust as necessary.
  8. Complete full welds.
  9. Install Safety Chain Locks and Light Socket, Sheet 6, Details A and B.
  10. Paint and reinstall lights and wiring.

DRAWN  
Dan Salmore  
APPROVED & DATE



# Quality Corporation

2401 S Delaware St.  
Denver, CO 80223

PAPER  
SIZE

PART DESCRIPTION

PART NUMBER

A

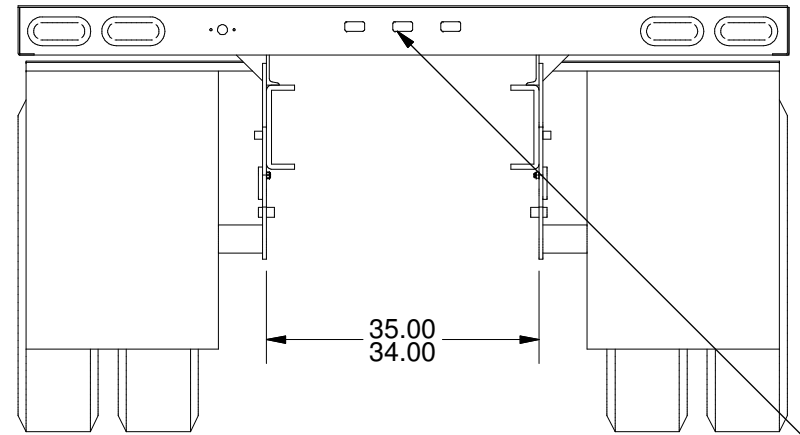
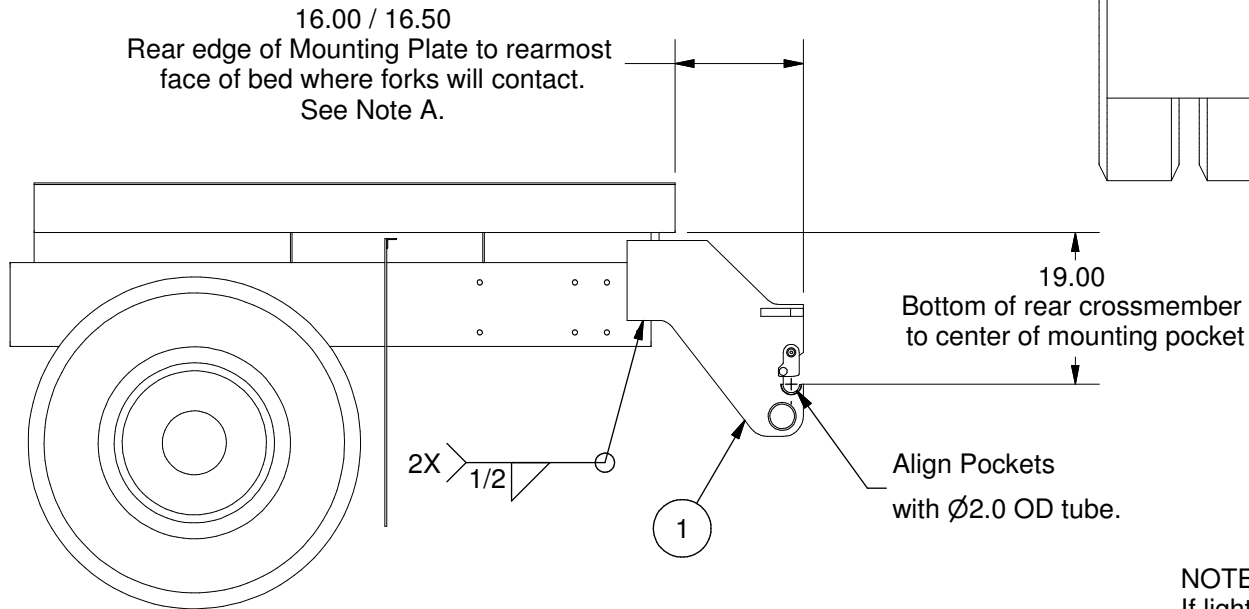
Donkey Truck Mounting,  
Fixed Plates

101455QV

TOLERANCES  
.X=  $\pm 0.060$   
.XX=  $\pm 0.030$   
.XXX=  $\pm 0.010$

DATE: 4/24/2015 | SCALE 1:24 | SHEET 2 OF 6

**STEP 1  
INSTALL PLATES**



**NOTE A**  
If lights are vulnerable to damage by forks, install 1/2" flat bar above or below lights for protection. The rear of the flat bar will be the new measure point for the 16.0/16.5 dimension shown below.

Full Large Plates Mounting Kit, part no. 101460NB, includes parts noted as customer supplied.

101460NB Parts List			
Item	Part No.	Description	Qty.
1	101460QD	Kit, Basic Large Plates Mounting	1
A	101437	Fork Stop	1
B	101458A	Tire Rests, 4 x 4 x 1/8 Wall Sq Tube	2
C	102901C	Cross Member, 2 x 3 x 3/16 Wall Rect Tube	2

DRAWN  
Dan Salmore  
APPROVED & DATE

TOLERANCES  
.X= ± 0.060  
.XX= ± 0.030  
.XXX= ± 0.010

1	101460QD	Kit, Basic Large Plate Mounting	1
Item	Part Number	Description	Qty.

Parts List



**Quality Corporation**

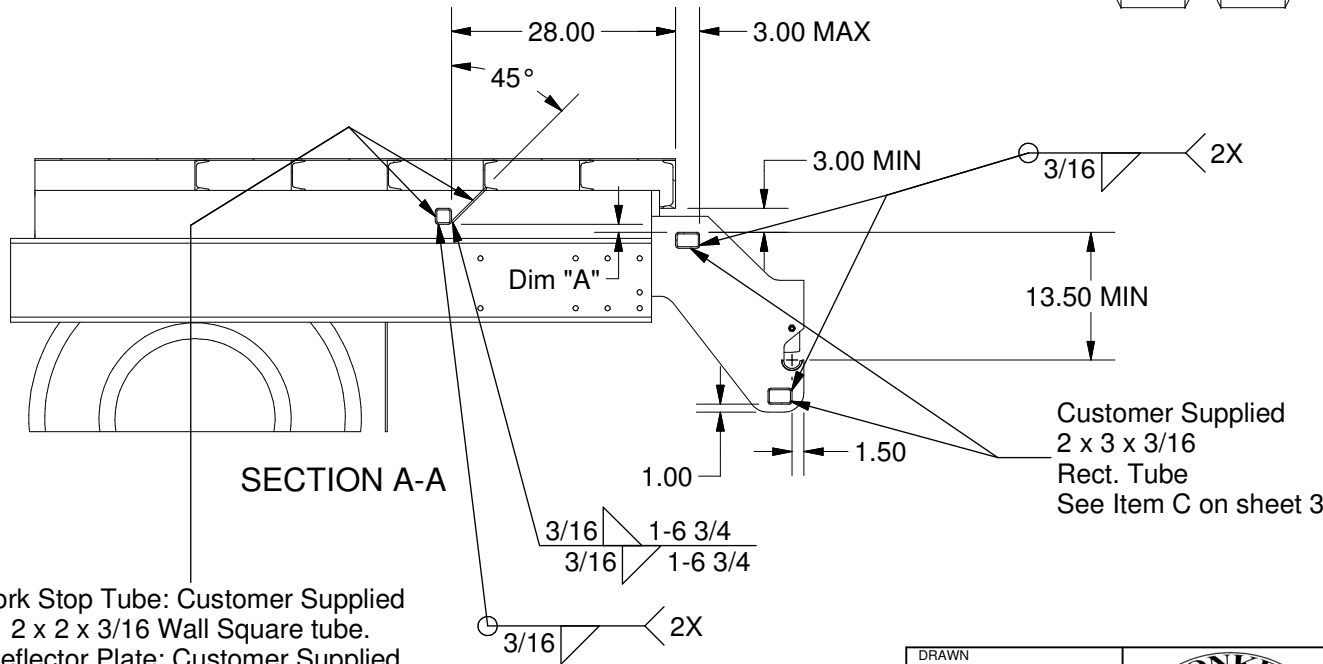
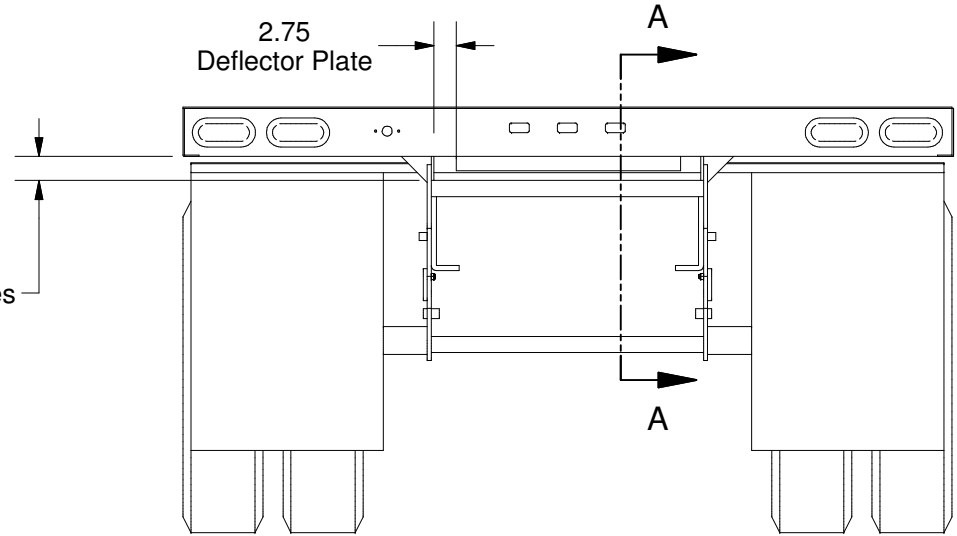
2401 S Delaware St.  
Denver, CO 80223

PAPER SIZE <b>A</b>	PART DESCRIPTION Donkey Truck Mounting, Fixed Plates	PART NUMBER <b>101455QV</b>
------------------------	---	--------------------------------

DATE: 4/24/2015 | SCALE 1:24 | SHEET 3 OF 6


## STEP 2 INSTALL CROSS MEMBERS AND FORK STOP

If necessary, bed rear crossmember must be cut out to achieve dimension shown. Access holes should be 10.0 wide min.



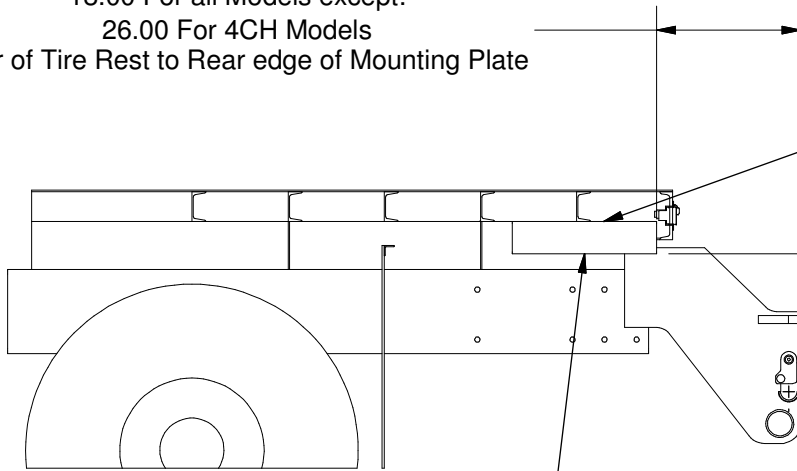
Fork Type	Dim "A"
Polish & Taper	0.50
Pallet	1.00
Brick	1.00
Tube	2.50

Fork Stop Tube: Customer Supplied  
2 x 2 x 3/16 Wall Square tube.  
Deflector Plate: Customer Supplied  
1/4 x 6 x 28 Steel Plate  
See Item A on sheet 3.

DRAWN <b>Dan Salmore</b> APPROVED & DATE	 <h1>Quality Corporation</h1> <p>2401 S Delaware St. Denver, CO 80223</p>		
			PAPER SIZE <b>A</b>
TOLERANCES .X= ± 0.060 .XX= ± 0.030 .XXX= ± 0.010	DATE: 4/24/2015	SCALE: 1:24	SHEET: 4 OF 6

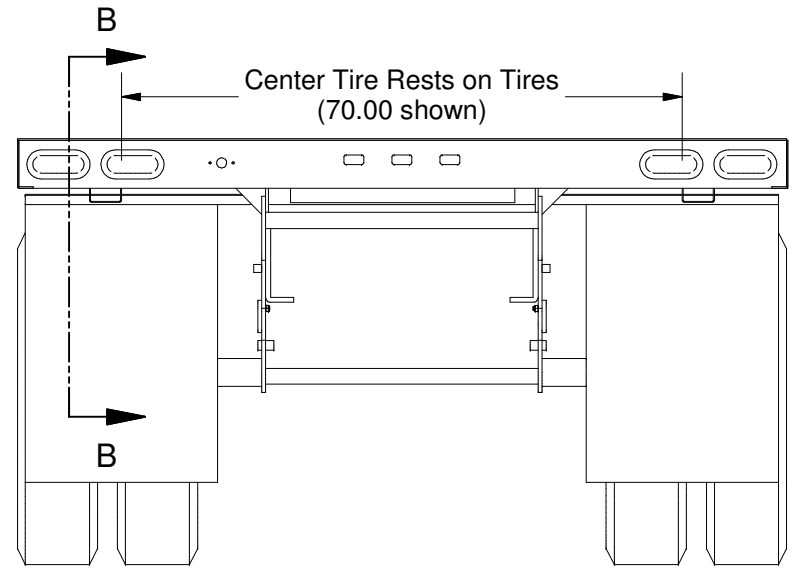
### STEP 3 INSTALL TIRE RESTS

18.00 For all Models except:  
26.00 For 4CH Models  
Rear of Tire Rest to Rear edge of Mounting Plate



SECTION B-B

2x Customer Supplied Tire Rests  
A minimum 4" wide tire rest is recommended.  
Vary Tire Rest Height to achieve dimension.  
Common sizes are 4" x 4" x 1/8" wall Rect. Tube,  
2" x 4" x 1/8" wall Rect. Tube  
or 3/8" x 4" Flat Plate  
See Item B on sheet 3.



Center Tire Rests on Tires  
(70.00 shown)

1.5 | 1.5 |  $\left\langle \begin{array}{l} 2X \text{ Minimum} \\ \text{On Each Tire Rest} \end{array} \right.$

18.00 for 27" tires / 19.00 for 29" tires 3K/4K/4.5K  
16.00 for 5K  
Tire Rest to Center of Mounting Pocket

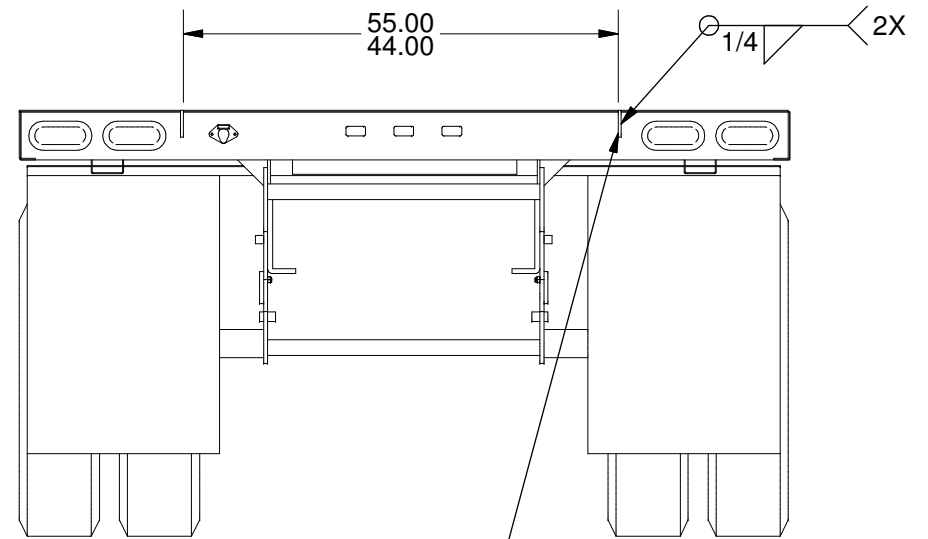
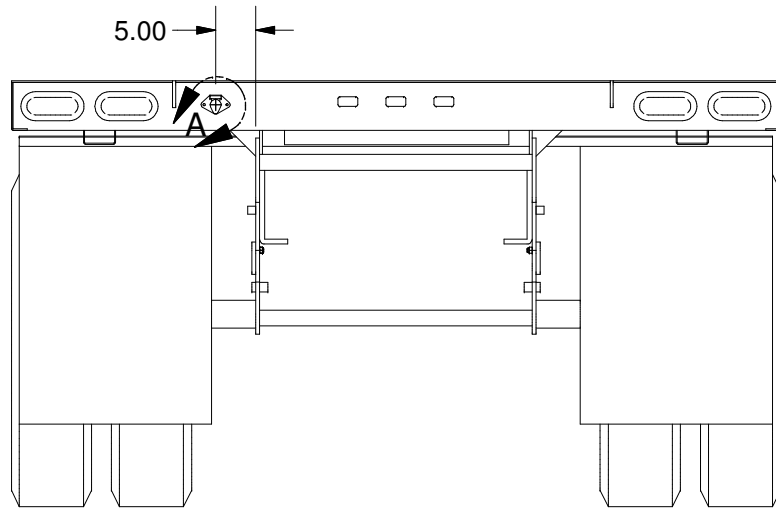
DRAWN Dan Salmore
APPROVED & DATE
TOLERANCES .X = ± 0.060 .XX = ± 0.030 .XXX = ± 0.010



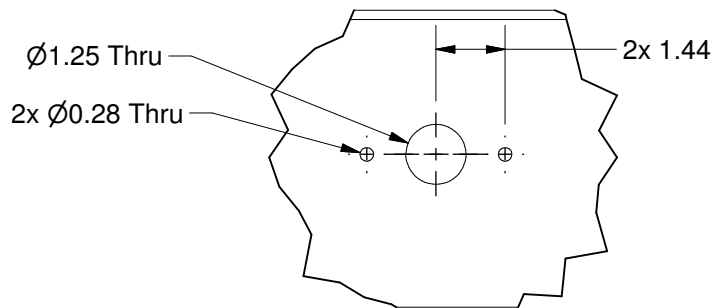
## Quality Corporation

2401 S Delaware St.  
Denver, CO 80223

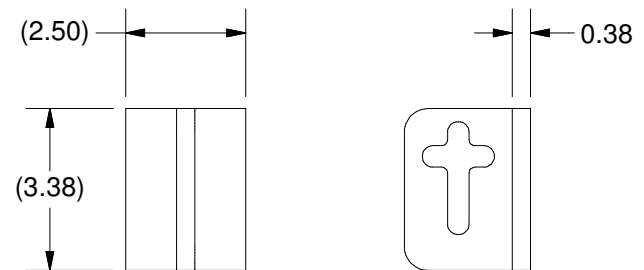
PAPER SIZE	PART DESCRIPTION	PART NUMBER
A	Donkey Truck Mounting, Fixed Plates	101455QV
DATE: 4/24/2015	SCALE 1:24	SHEET 5 OF 6



If Rear crossmember is less than 1/4" thick, distribute load with backing plate. See Detail B



DETAIL A  
SCALE 1 / 4



DETAIL B  
SCALE 1/4

Receptacle mounting bracket is available.  
Order p/n: 102460.

DRAWN <b>Dan Salmore</b> APPROVED & DATE			<h1>Quality Corporation</h1> <p>2401 S Delaware St. Denver, CO 80223</p>	
TOLERANCES .X= ± 0.060 .XX= ± 0.030 .XXX= ± 0.010	DATE: 4/24/2015	SCALE: 1:24	SHEET: 6	OF: 6