

REMOVABLE MOUNT INSTALLATION FOR TRUCK BODIES

For truck bodies only, not for trailers.
Recommended for use with Dump Beds. See Drawing 102468F.

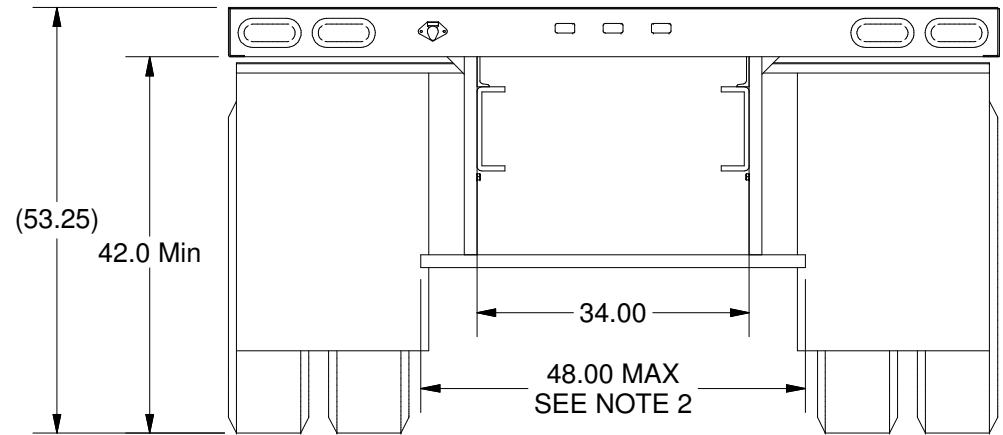
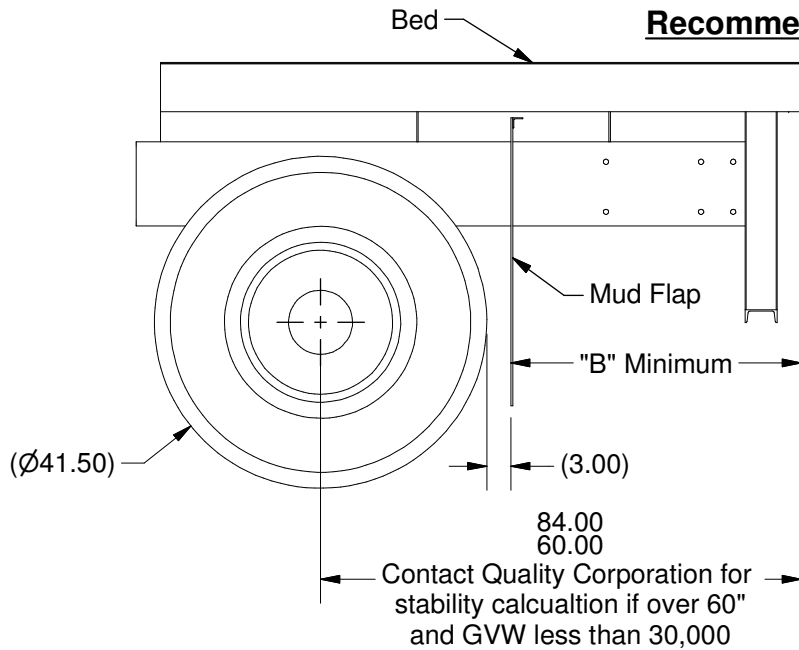
IMPORTANT

- A. Safe and reliable operation of Donkey mounting kits require proper installation. The kit must be installed by a technician with sufficient skills to understand the installation and operation of the mount along with the equipment required to install it. Improper installation can result in serious injury or death.
- B. Welding is required to install the mounting kit. Welders must be qualified to complete out of position welds. Use .035 ER70S-6 solid core welding wire or equivalent. Check the OEM vehicle manual for any special requirements prior to welding. Always disconnect the vehicle battery before welding. Remove, relocate or protect wiring, lights, hoses, deck boards and other parts and materials that may be damaged by heat from welding or cutting.
- C. Before modifying the vehicle, make certain the modifications meet the specifications of the vehicle and body manufacturers and will not void their warranties.
- D. When installed, this mounting kit must not alter or prevent vehicle compliance to any existing state or federal standards. The chassis manufacturers recommendations should be consulted for compliance.
- E. The mounting kit must be attached to a vehicle suitable for carrying the forklift and load in a safe manner. When determining load distributions for the vehicle be sure to include the weight of the Donkey and mounting kit. Also ensure the Donkey and mounting kit does not unweight the front of the vehicle and make driving unsafe.
- F. Ensure there is sufficient clearance under the vehicle for the Donkey's drive wheels, chaincases and forks.
- G. The vehicle chassis channels and bed long sills should terminate equally at the end of the vehicle.
- H. The vehicle chassis and structure supporting the mounting kit must be capable of withstanding a load of 12,000 lbs concentrated 23 inches behind the end of the bed.
- I. Minimum Resistance to Bending Moment required is 590,000 inch-pounds.
- J. Bed cross members must be securely fastened to the long sills with full welds and gussets. The crossmembers must be able to carry an upward load of 7000 lbs for each of the Donkey's drive wheels. If the bed crossmembers cannot support this load a tire rest support kit must be used. This kit can be ordered from Quality Corporation's Parts Department (800-383-3018).
- K. This drawing shows typical installations. Many variations of trucks and trailers may be encountered. Contact Quality Corporation's Engineering Department (1-800-383-3018) with any questions regarding the installation of the mounting kit.
- L. When installing a truck mount on a dump body, use additional kit (part no. 102468F, Rev. A or later) for bed tie down and long sill reinforcement.
- M. Do not use Tag Axles behind main axle.

DRAWN Dan Salmore			Quality Corporation 2401 S Delaware St. Denver, CO 80223	
APPROVED & DATE				
PAPER SIZE	PART DESCRIPTION		PART NUMBER	
A	Donkey Forklift Mount Installation Instructions - Removable Mount		101455QVA	
TOLERANCES		DATE: 4/24/2015	SCALE: None	SHEET 1 OF 6
.X= ± 0.060				
.XX= ± 0.030				
.XXX= ± 0.010				

-	Released	15-0064	06/05/2015	DJS
Rev.	Revision Description	ECN #	Rev. Date	Rev. By

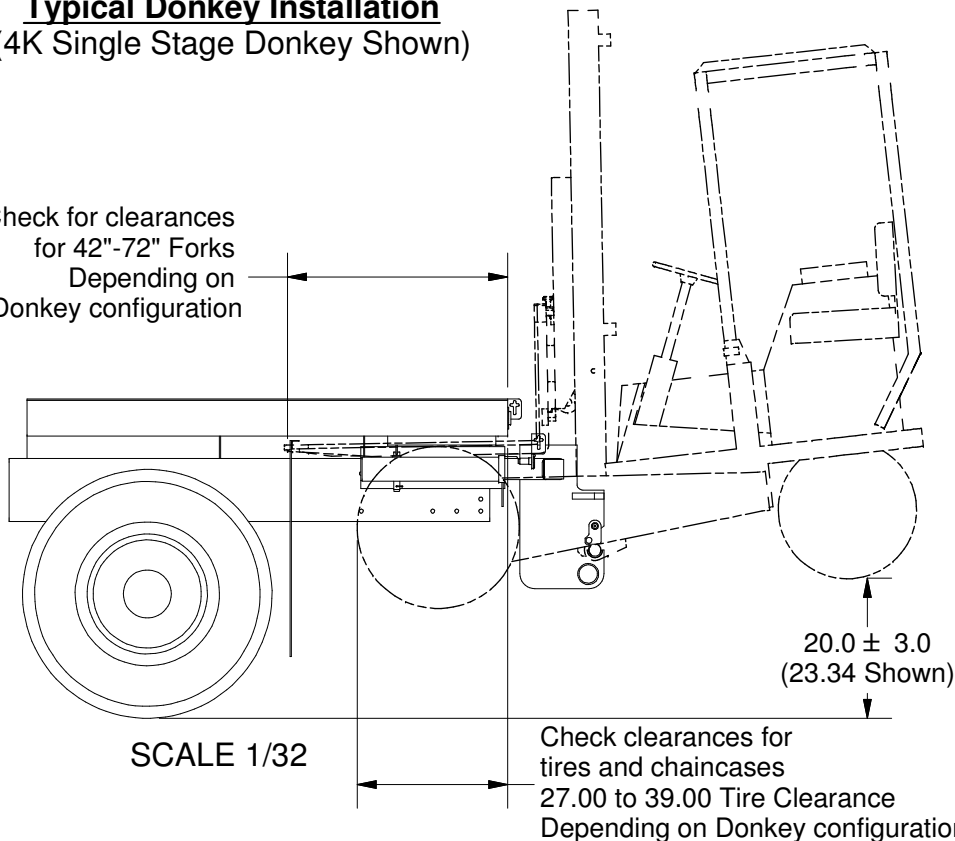
Recommended Truck Dimensions



Model	"B" Dim
All -3K, -3BK, -4K, and -4.5K	30.00
All -5K	32.00
All -4CH	38.00

Typical Donkey Installation (4K Single Stage Donkey Shown)

Check for clearances
for 42"-72" Forks
Depending on
Donkey configuration



General Procedure

1. Remove tail lights and other wiring from end of bed.
2. Cut away obstructing parts, such as the underride horizontal extension. Reinforce structure as necessary
NOTE: For items 3, 4, & 5: Use tack welds sufficient to hold weight of forklift for test fit.
3. Tack in Receiver Tubes. Step 1, Sheet 3.
4. Tack in Fork stop. Step 2, Sheet 4.
5. Tack in tire rests. Step 3, Sheet 5.
6. Load forklift and check dimensions, Sheet 2.
7. Adjust as necessary.
8. Complete full welds.
9. Install Safety Chain Locks and Light Socket, Sheet 6, Details B and C.
10. Paint and reinstall lights and wiring.

DRAWN
Dan Salmore
APPROVED & DATE



Quality Corporation

2401 S Delaware St.
Denver, CO 80223

TOLERANCES
.X = ± 0.060
.XX = ± 0.030
.XXX = ± 0.010

PAPER SIZE
A

PART DESCRIPTION
**Donkey Forklift Mount
Installation Instructions -
Removable Mount**

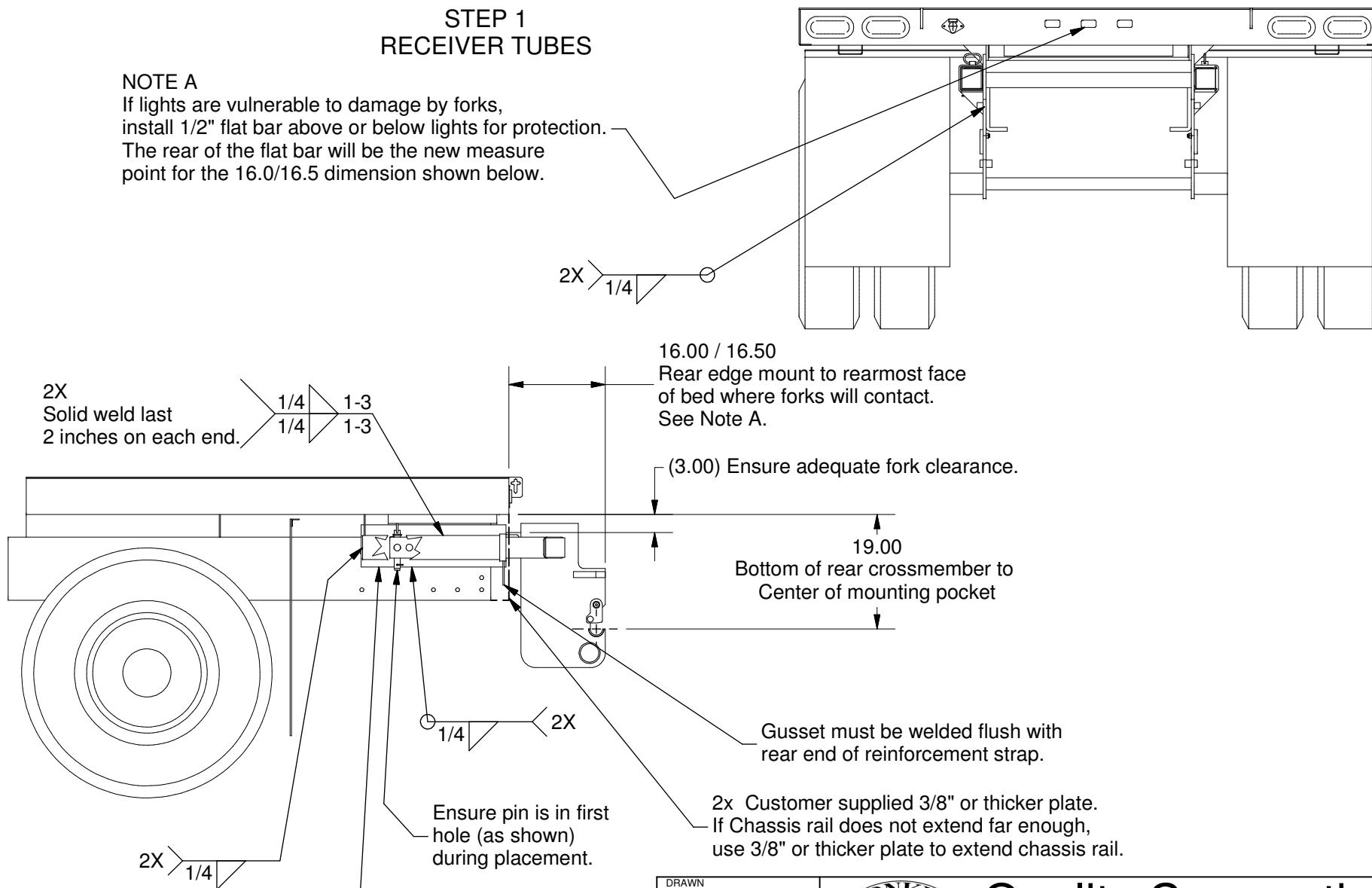
PART NUMBER
101455QVA

DATE: 4/24/2015 | SCALE 1:24 | SHEET 2 OF 6

STEP 1 RECEIVER TUBES

NOTE A

If lights are vulnerable to damage by forks, install 1/2" flat bar above or below lights for protection. The rear of the flat bar will be the new measure point for the 16.0/16.5 dimension shown below.



Use shim plate as required. P/n: 101422B

Notes:

1. For 5K models, use kit part no. 101460CA.
- For all other models, use kit part no. 101460.

DRAWN
Dan Salmore
APPROVED & DATE



Quality Corporation

2401 S Delaware St.
Denver, CO 80223

TOLERANCES
.X= ± 0.060
.XX= ± 0.030
.XXX= ± 0.010

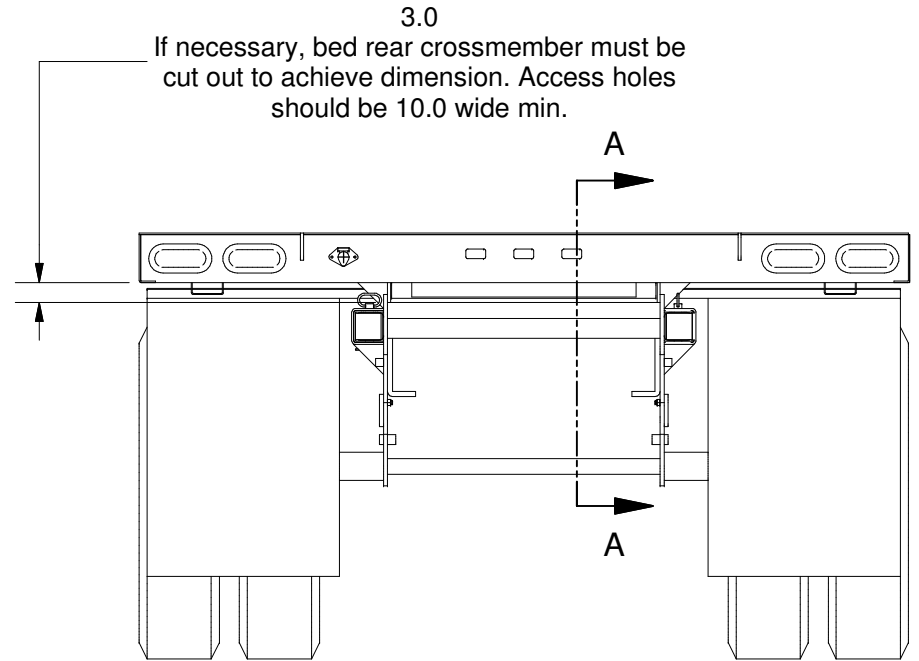
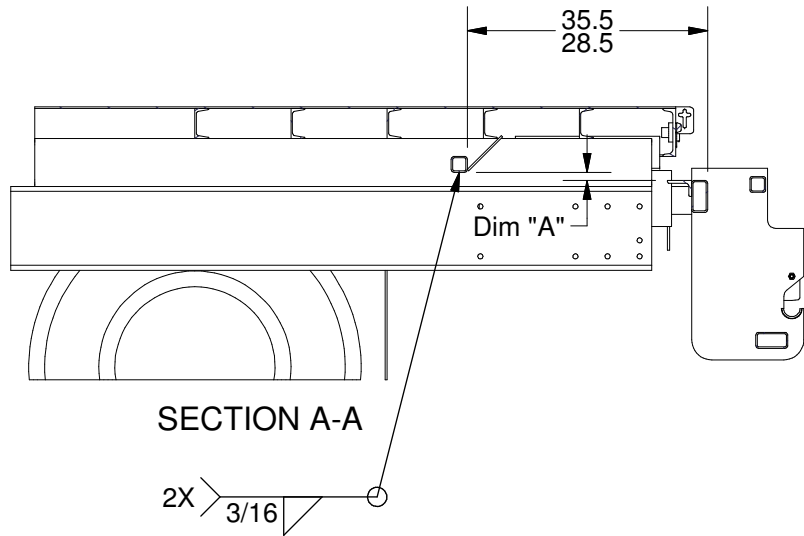
PAPER SIZE
A

PART DESCRIPTION
**Donkey Forklift Mount
Installation Instructions -
Removable Mount**

PART NUMBER
101455QVA

DATE: 4/24/2015 | SCALE 1:24 | SHEET 3 OF 6

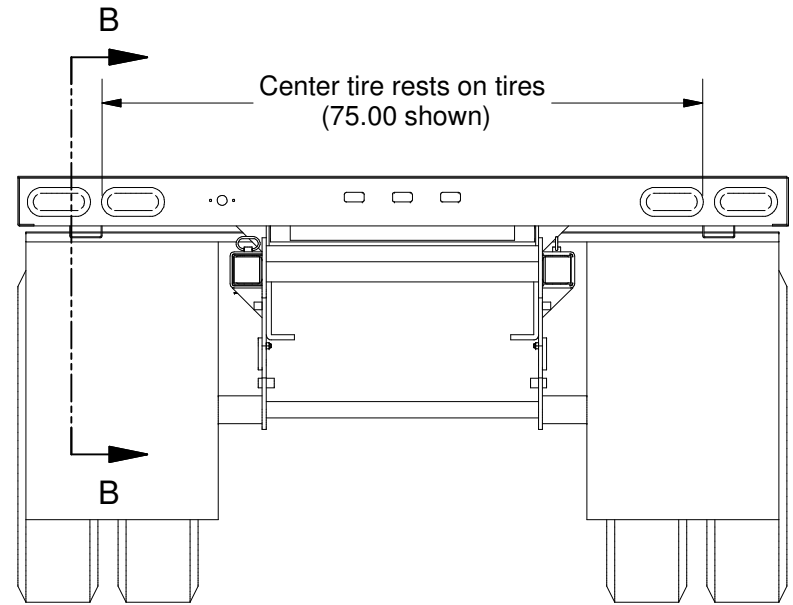
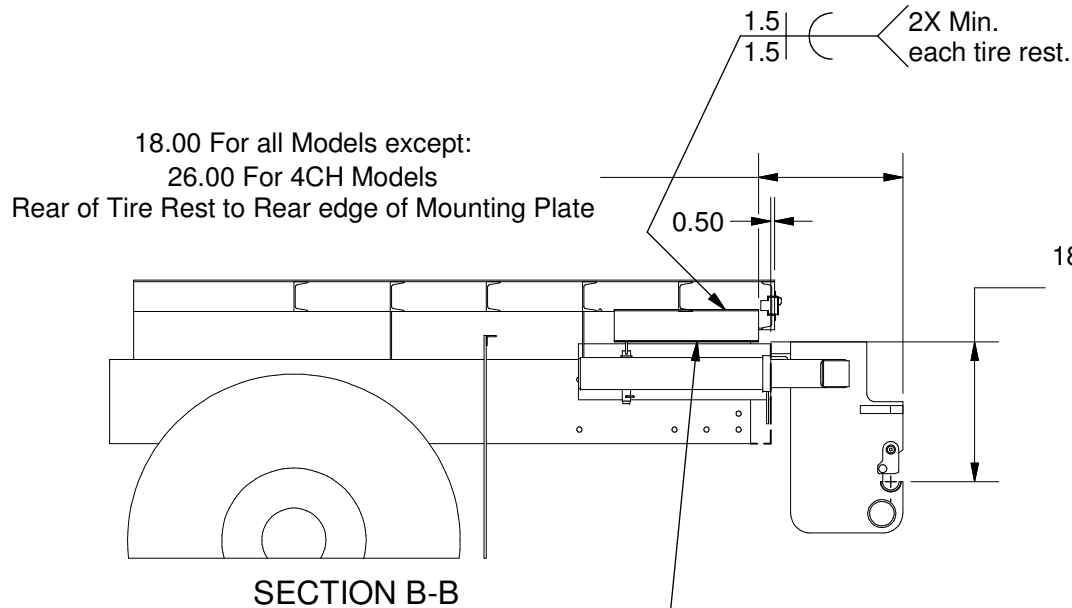
**STEP 2
INSTALL FORK STOP**



Fork Type	Dim "A"
Polish & Taper	0.50
Pallet	1.00
Brick	1.00
Tube	2.50


DRAWN Dan Salmore			<h1>Quality Corporation</h1> <p>2401 S Delaware St. Denver, CO 80223</p>	
APPROVED & DATE				
TOLERANCES .X= ± 0.060 .XX= ± 0.030 .XXX= ± 0.010		PAPER SIZE A	PART DESCRIPTION Donkey Forklift Mount Installation Instructions - Removable Mount	PART NUMBER 101455QVA
DATE: 4/24/2015		SCALE: 1:24	SHEET 4 OF 6	

**STEP 3
INSTALL TIRE RESTS**

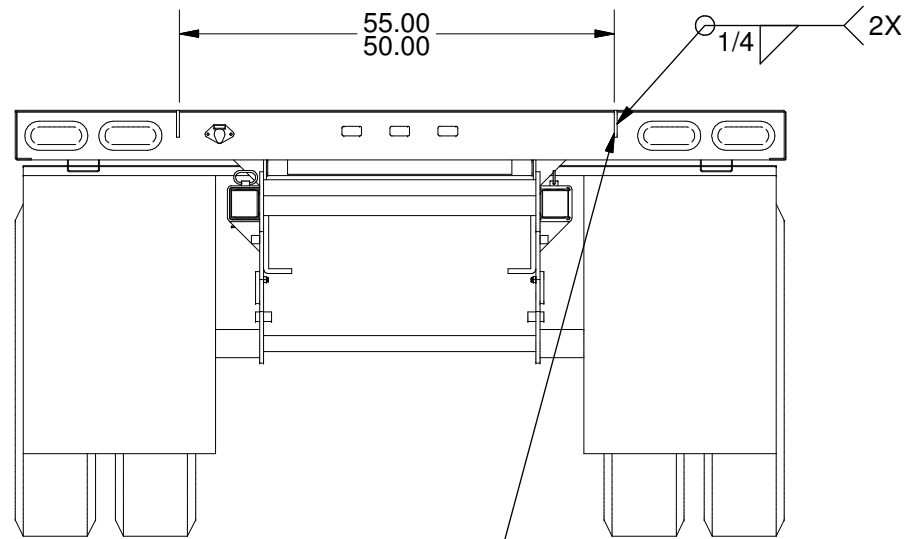
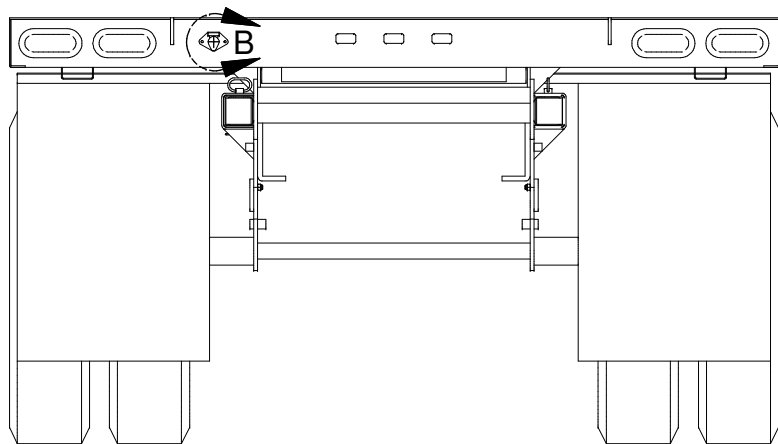


18.00 for 27" tires / 19.00 for 29" tires 3K/4K/4.5K
16.00 for 5K
Tire Rest to Center of Mounting Pocket

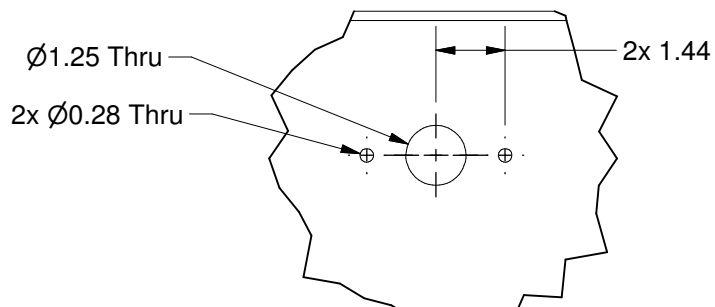
2x Tire Rests. 4" x 4" x 1/8" wall rect. tubes provided.
A minimum 4" wide tire rest is recommended.
Vary Tire Rest Height to achieve dimension.
Common sizes are 2" x 4" x 1/8" wall Rect. Tube
or 3/8" x 4" Flat Plate

DRAWN Dan Salmore		 Quality Corporation 2401 S Delaware St. Denver, CO 80223		
APPROVED & DATE				
TOLERANCES .X= ± 0.060 .XX= ± 0.030 .XXX= ± 0.010		PAPER SIZE A	PART DESCRIPTION Donkey Forklift Mount Installation Instructions - Removable Mount	PART NUMBER 101455QVA
DATE: 4/24/2015		SCALE: 1:24	SHEET 5 OF 6	

**STEP 4
INSTALL CHAIN LOCKS AND
LIGHT RECEPTACLE**

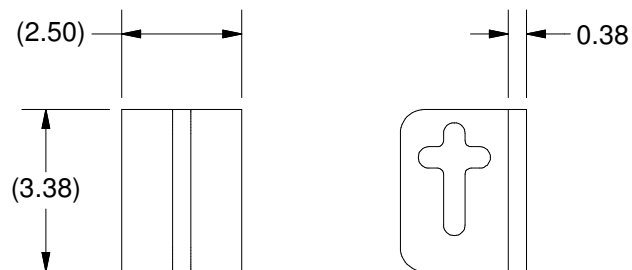


If Rear crossmember is less than 1/4" thick, distribute load with backing plate. See Detail C.



**DETAIL B
SCALE 1 / 4**

Receptacle mounting bracket is available.
Order p/n: 102460.



**DETAIL C
SCALE 1/4**

DRAWN Dan Salmore APPROVED & DATE			Quality Corporation 2401 S Delaware St. Denver, CO 80223	
	PAPER SIZE A	PART DESCRIPTION Donkey Forklift Mount Installation Instructions - Removable Mount		PART NUMBER 101455QVA
TOLERANCES .X= ± 0.060 .XX= ± 0.030 .XXX= ± 0.010		DATE: 4/24/2015	SCALE 1:24	SHEET 6 OF 6