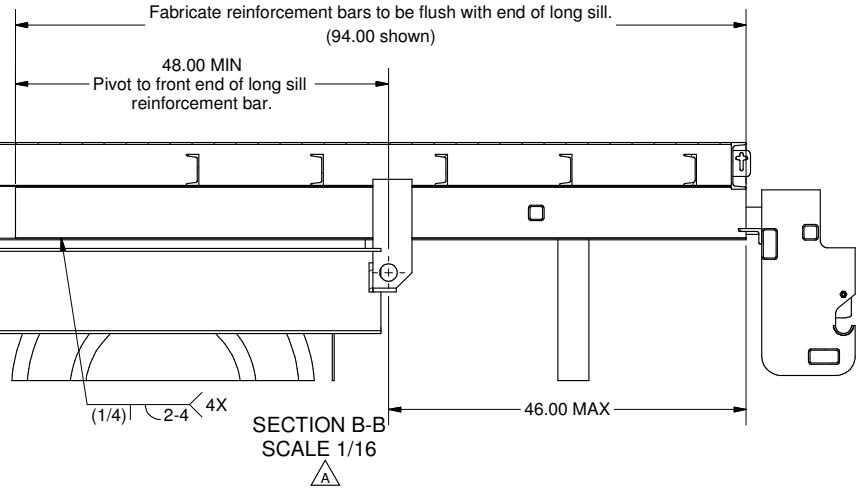
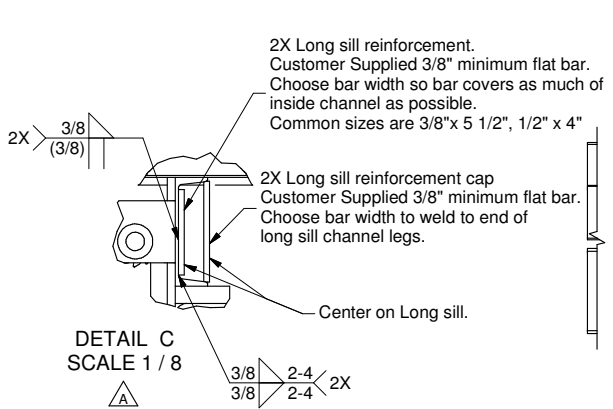
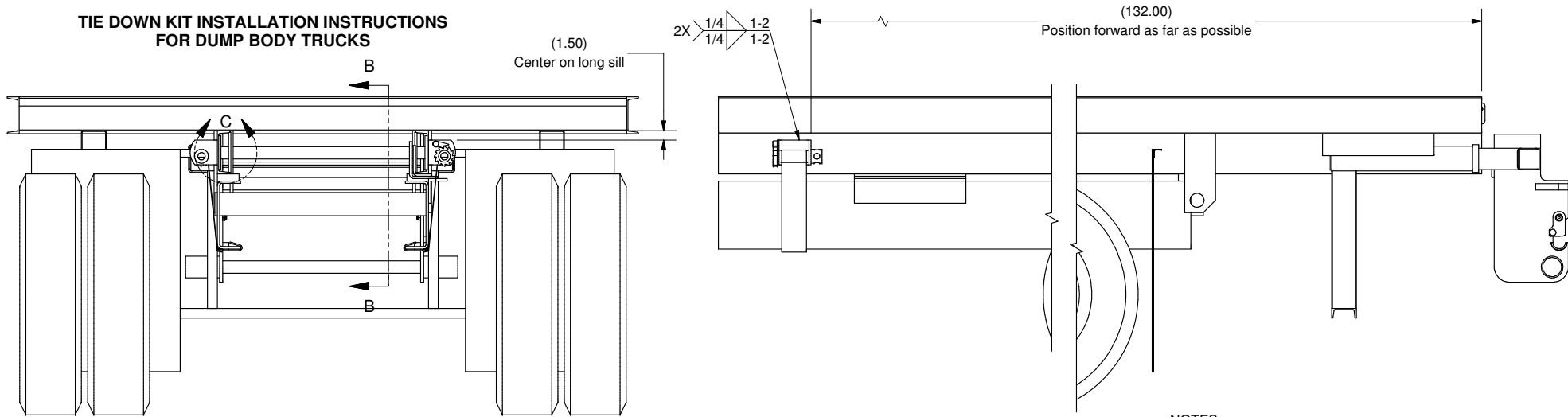
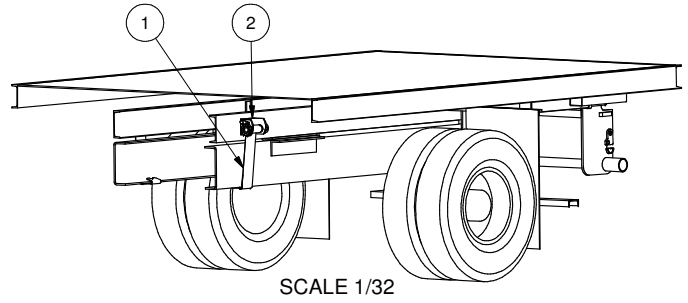


**TIE DOWN KIT INSTALLATION INSTRUCTIONS
FOR DUMP BODY TRUCKS**



- NOTES:**
1. Add one winch and strap to each side of the truck bed, welded to the long sills.
 2. Be sure to install winches in the correct orientation so that the latching pawl engages the ratchet gear.
 3. Install winches an equal distance from the bed pivot and forward on the bed as far as possible.
 4. To use, remove forklift from mount and lower the bed completely. Route the tie down strap under the lower chassis flange and hook it to the flange. Tighten both straps using the winches.

IMPORTANT: Before tilting bed - remove fork lift from mount and release tension on the tie down straps by releasing the winches. Remove the tie down straps from the chassis flanges. Remove main weldment from receiver tubes.



TRUCK SPECIFICATIONS:
1. Minimum frame RBM: 590,000 in-lbs per rail.

A	Added View, Truck Spec. & Reinforcement	15-0068	DJS	06/22/2015	.X= ± 0.060
-	Released	12-0016	BG	03/16/2012	.XX= ± 0.030
Rev.	Revision Description	ECN #	Rev. Date	Rev. By	.XXX= ± 0.010

2	7820	Winch, Cargo 4"	2
1	423021	Strap, Cargo 4"	2
Item	Part Number	Description	Qty.

Parts List



Quality Corporation
2401 S Delaware St.
Denver, CO 80223

PAPER SIZE	PART DESCRIPTION	PART NUMBER
B	Tie Down, Dump Body	102468F

DATE: 3/16/2012 | SCALE: 1:16 | SHEET: 1 OF 1