

IMPORTANT

A. Safe and reliable operation of Donkey mounting kits require proper installation. The kit must be installed by a technician with sufficient skills to understand the installation and operation of the mount along with the equipment required to install it. Improper installation can result in serious injury or death.

B. This drawing shows typical installations. Many variations of trucks and trailers may be encountered. Contact Quality Corporation's Engineering Department (1-800-383-3018) with any questions regarding the installation of the mounting kit.

C. When installed, this mounting kit must not alter or prevent vehicle compliance to any existing state or federal standards. The chassis manufacturers recommendations should be consulted for compliance.

D. The mounting kit must be attached to a vehicle suitable for carrying the forklift and load in a safe manner. When determining load distributions for the vehicle be sure to include the weight of the Donkey and mounting kit. Also ensure the Donkey and mounting kit do not unweight the front of the vehicle and make driving unsafe.

E. Ensure there is sufficient clearance under the vehicle for the Donkey's drive wheels, chaincases and forks.

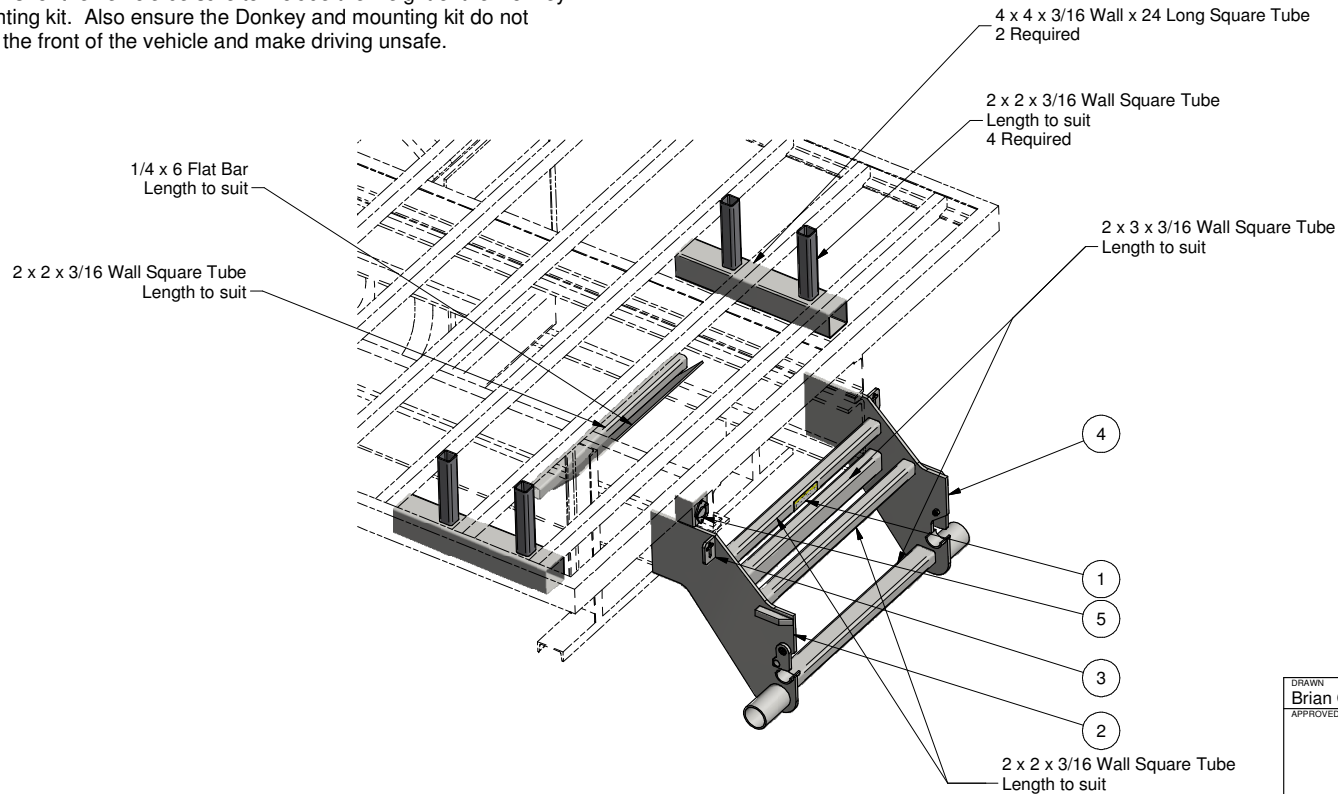
F. The vehicle chassis channels and bed long sills should terminate equally at the end of the vehicle.

G. The vehicle chassis and structure supporting the mounting kit must be capable of withstanding a load of 12,000 lbs concentrated 23 inches behind the end of the bed.

H. Bed cross members must be securely fastened to the long sills with full welds and gussets. The crossmembers must be able to carry an upward load of 7000 lbs for each of the Donkey's drive wheels. If the bed crossmembers cannot support this load a tire rest support kit must be used. This kit can be ordered from Quality Corporation's Parts Department (800-383-3018).

I. Welding is required to install the mounting kit. Welders must be qualified to complete out of position welds. Use .035 ER70S-6 solid core welding wire or equivalent. Check the OEM vehicle manual for any special requirements prior to welding. Always disconnect the vehicle battery before welding. Remove, relocate or protect wiring, lights, hoses, deck boards and other parts and materials that may be damaged by heat from welding or cutting.

J. Before modifying the vehicle, make certain the modifications meet the specifications of the vehicle and body manufacturers and will not void their warranties.



NOTE: Items 2 thru 5 are included in kit 101460QD.

Item	Part Number	Description	Qty.
5	37664	Truck Receptacle	1
4	101410AXR	Mounting Plate Weldment, RH	1
3	102408	Safety Chain Catch	2
2	101410AXL	Mounting Plate Weldment, RH	1
1	101250GI	Decal - Fork Mounting Position	1

Parts List

DRAWN
Brian Gomer
APPROVED & DATE



Quality Corporation

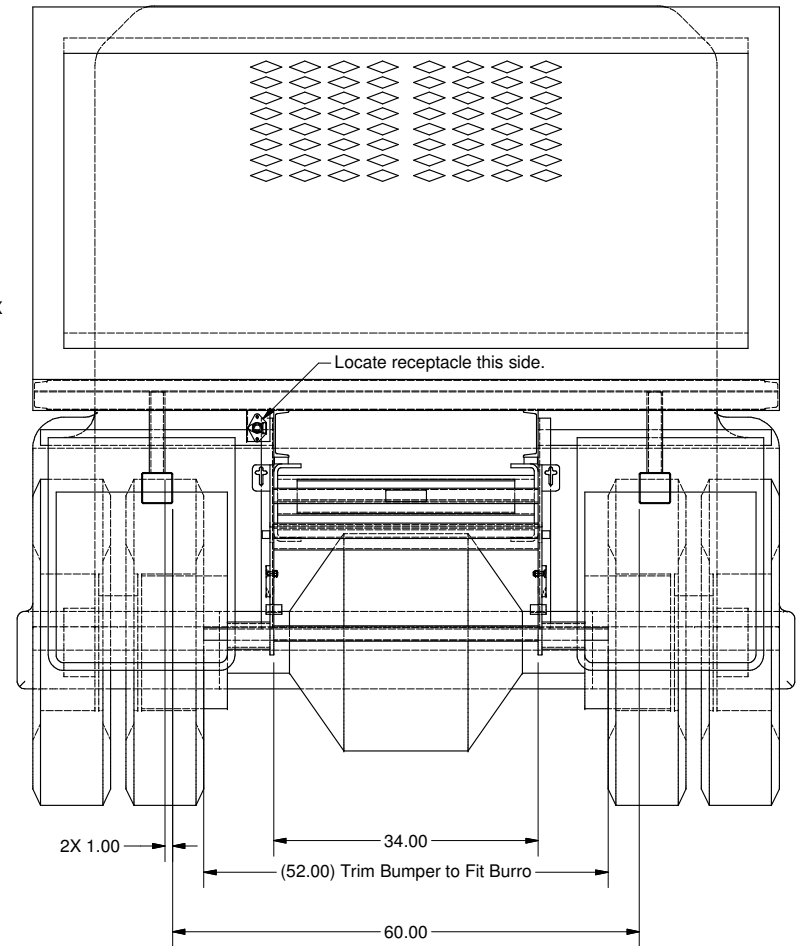
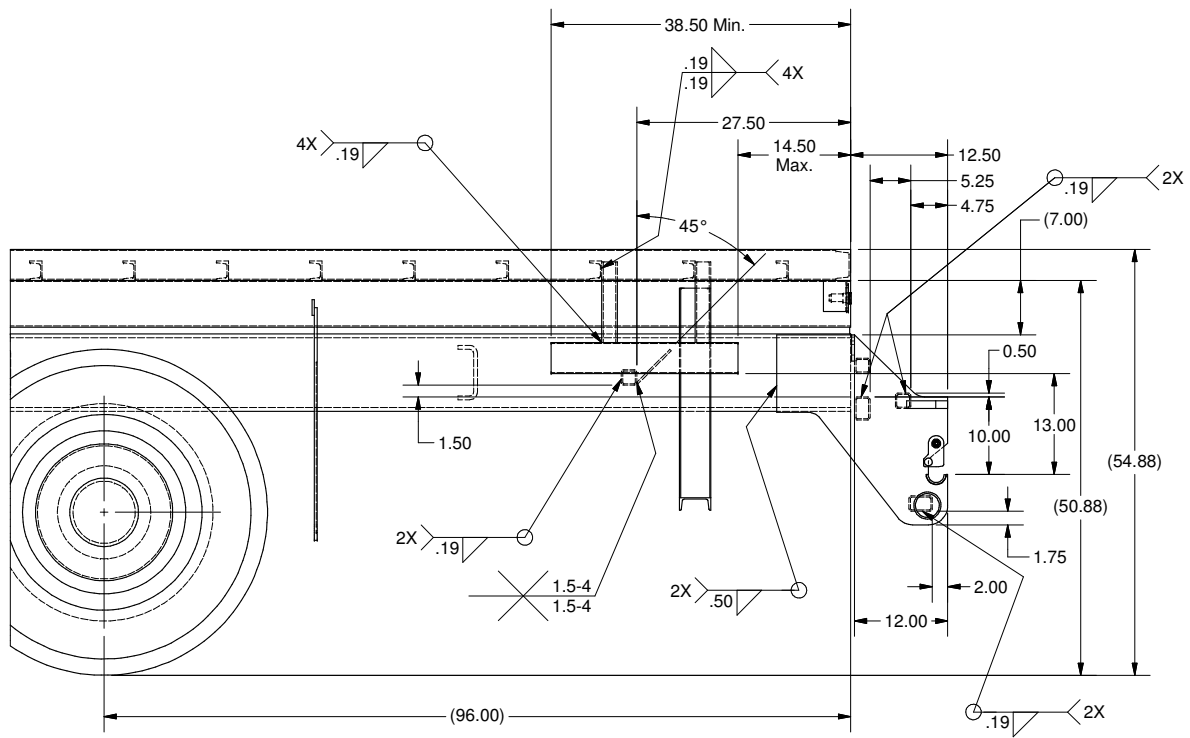
2401 S Delaware St.
Denver, CO 80223

TOLERANCES
.X= ± 0.060
.XX= ± 0.030
.XXX= ± 0.010

PAPER SIZE	PART DESCRIPTION	PART NUMBER
B	Burro Installation - John Deere Landscapes	101455QPA

Rev.	Revision Description	ECN #	Rev. Date	Rev. By
-	Released	13-0024	04/29/2013	BG

DATE: 2/12/2013 | SCALE: 1:16 | SHEET: 1 OF 3



DRAWN
Brian Gomer
APPROVED & DATE



Quality Corporation

2401 S Delaware St.
Denver, CO 80223

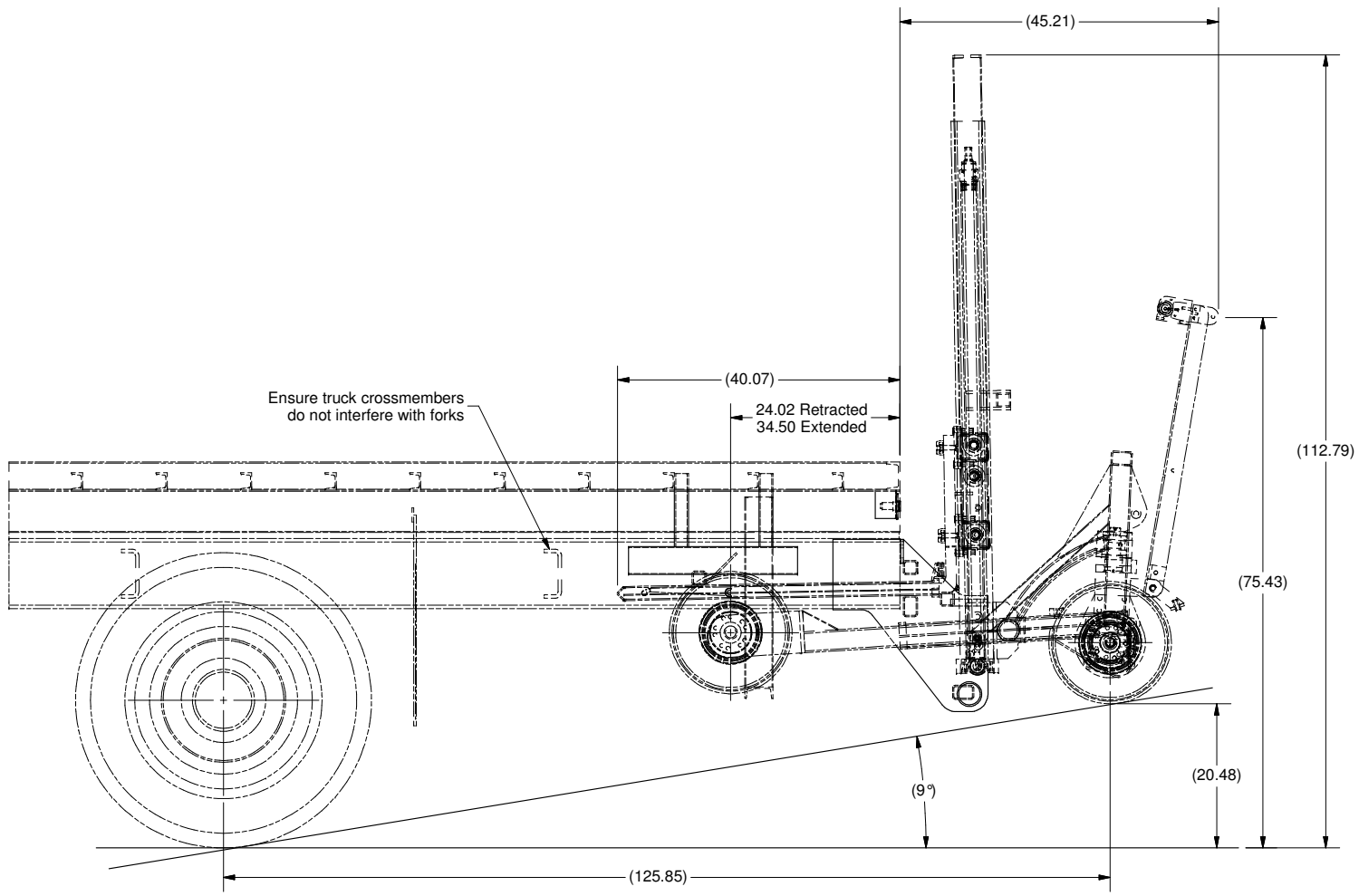
TOLERANCES
.X= ± 0.060
.XX= ± 0.030
.XXX= ± 0.010

PAPER
SIZE
B

PART DESCRIPTION
Burro Installation - John
Deere Landscapes

PART NUMBER
101455QPA

DATE: 2/12/2013 | SCALE 1:16 | SHEET 2 OF 3



DRAWN Brian Gomer APPROVED & DATE			Quality Corporation 2401 S Delaware St. Denver, CO 80223		
TOLERANCES .X= ± 0.060 .XX= ± 0.030 .XXX= ± 0.010			PAPER SIZE B	PART DESCRIPTION Burro Installation - John Deere Landscapes	PART NUMBER 101455QPA
DATE: 2/12/2013		SCALE: 1:16	SHEET 3 OF 3		