

△ IMPORTANT

A. Safe and reliable operation of Burro mounting kits require proper installation. The kit must be installed by a technician with sufficient skills to understand the installation and operation of the mount along with the equipment required to install it. Improper installation can result in serious injury or death.

B. This drawing shows typical installations. Many variations of trucks and trailers may be encountered. Contact Quality Corporation's Engineering Department (1-800-383-3018) with any questions regarding the installation of the mounting kit.

C. When installed, this mounting kit must not alter or prevent vehicle compliance to any existing state or federal standards. The chassis manufacturers recommendations should be consulted for compliance.

D. The mounting kit must be attached to a vehicle suitable for carrying the forklift and load in a safe manner. When determining load distributions for the vehicle be sure to include the weight of the Burro and mounting kit. Also ensure the Burro and mounting kit do not unweight the front of the vehicle and make driving unsafe.

E. Ensure there is sufficient clearance under the vehicle for the Burro's front wheels, chaincases and forks.

F. The vehicle chassis channels and bed long sills should terminate equally at the end of the vehicle.

G. The vehicle chassis and structure supporting the mounting kit must be capable of withstanding a load of 5,500 lbs concentrated 8 inches behind the end of the bed.

H. If bed cross members are used to support the tire rests, they must be securely fastened to the long sills with full welds and gussets. The crossmembers must be able to carry an upward load of 1000 lbs for each of the Burros drive wheels. If the bed crossmembers cannot support this load, a tire rest support kit must be used. This kit can be ordered from Quality Corporation's Parts Department (800-383-3018).

I. Welding is required to install the mounting kit. Welders must be qualified to complete out of position welds. Use .035 ER70S-6 solid core welding wire or equivalent. Check the OEM vehicle manual for any special requirements prior to welding. Always disconnect the vehicle battery before welding. Remove, relocate or protect wiring, lights, hoses, deck boards and other parts and materials that may be damaged by heat from welding or cutting.

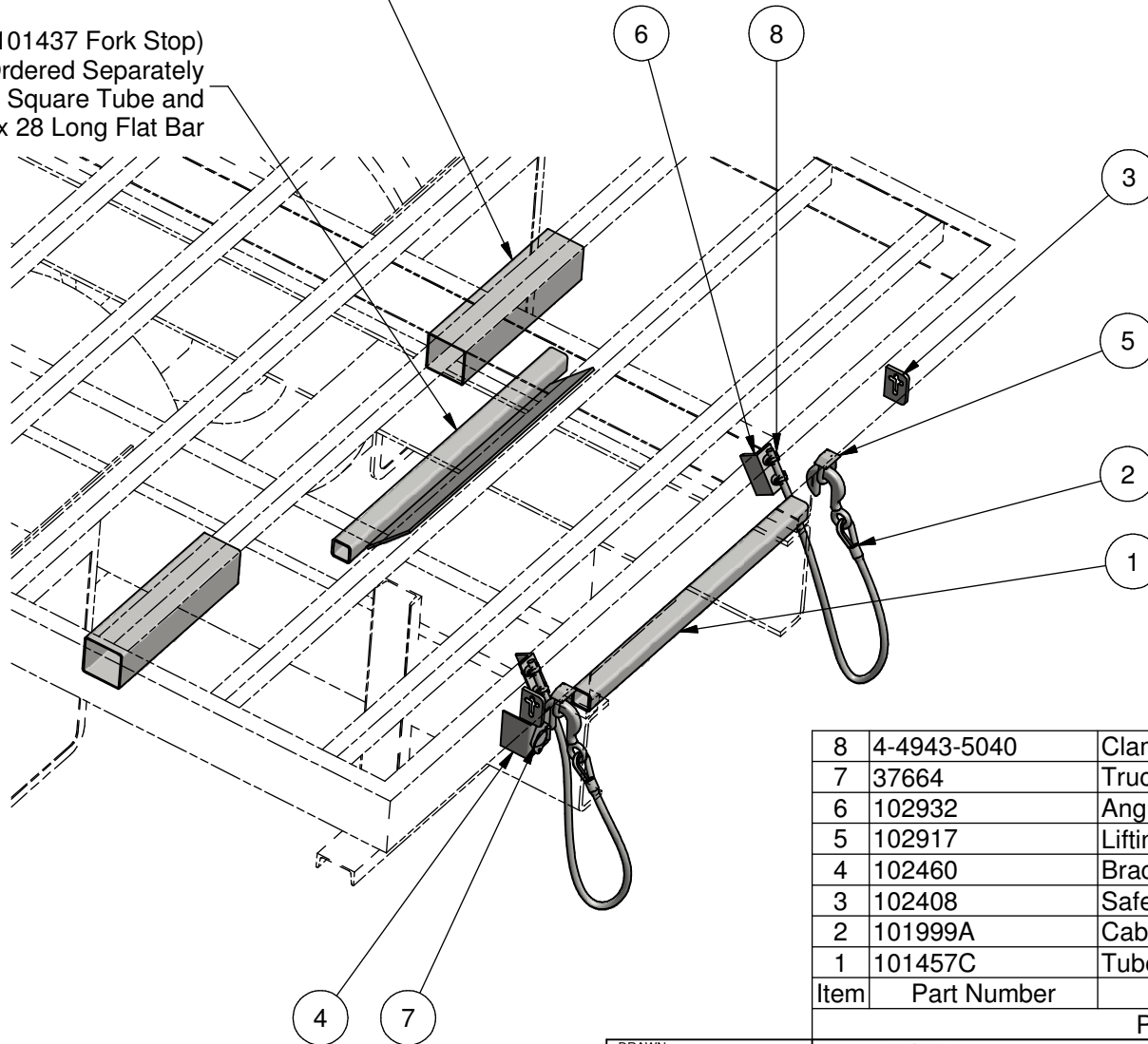
J. Before modifying the vehicle, make certain the modifications meet the specifications of the vehicle and body manufacturers and will not void their warranties.

E	Updated and corrected dimensions	14-0110	10/01/2014	BG
Rev.	Revision Description	ECN #	Rev. Date	Rev. By

<small>DRAWN</small> Brian Gorner <small>APPROVED & DATE</small>		<h2 style="margin: 0;">Quality Corporation</h2> 2401 S Delaware St. Denver, CO 80223	
<small>TOLERANCES</small> .X= ± 0.060 .XX= ± 0.030 .XXX= ± 0.010	<small>PAPER SIZE</small> <h1 style="font-size: 2em; margin: 0;">A</h1>	<small>PART DESCRIPTION</small> <h2 style="margin: 0;">Truck Mount, Burro</h2>	<small>PART NUMBER</small> <h2 style="margin: 0;">101424A</h2>
<small>DATE:</small> 4/9/2010		<small>SCALE:</small> None	<small>SHEET:</small> 1 OF 4

△E 2X (101458A Tire Rest Tube)
Customer Supplied or Ordered Separately
4 x 4 x 11 ga Wall x 18 Long Square Tube

△E (101437 Fork Stop)
Customer Supplied or Ordered Separately
2 x 2 x 3/16 Wall x 34 Long Square Tube and
1/4 x 6 x 28 Long Flat Bar



8	4-4943-5040	Clamp, Cable 5/16	4
7	37664	Truck Receptacle	1
6	102932	Angle, Burro Mount	2
5	102917	Lifting Eye	2
4	102460	Bracket, Plug	1
3	102408	Safety Chain Catch	2
2	101999A	Cable & Hook Assembly	2
1	101457C	Tube, Crossmember	1
Item	Part Number	Description	Qty.

Parts List

DRAWN
Brian Gorner
APPROVED & DATE

TOLERANCES
.X= ± 0.060
.XX= ± 0.030
.XXX= ± 0.010

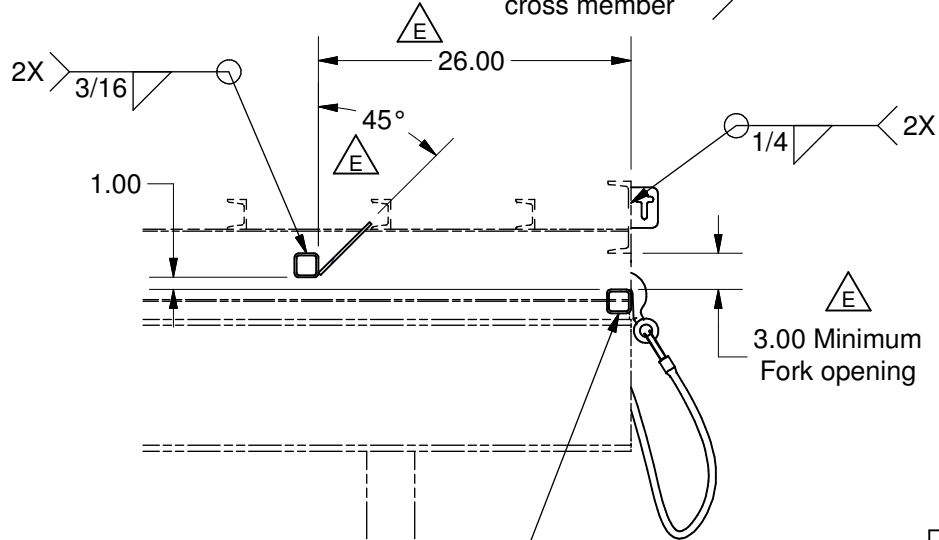
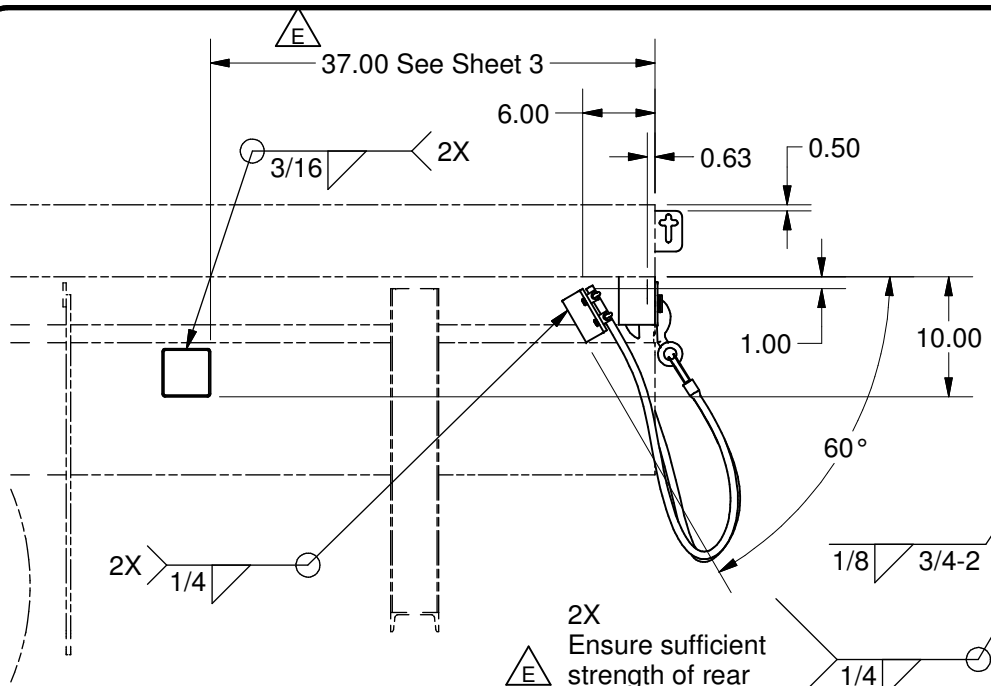


Quality Corporation

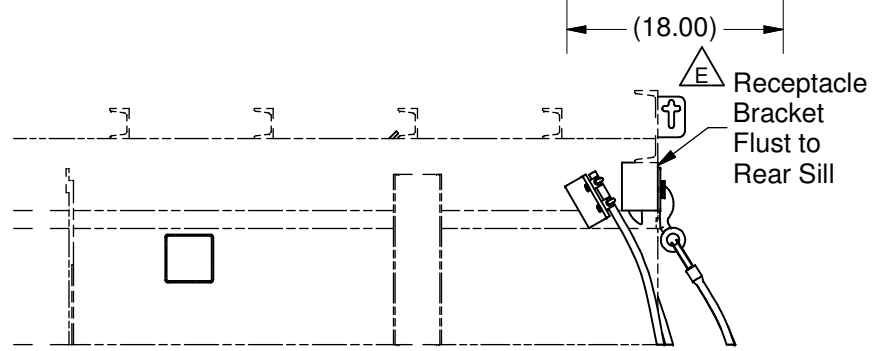
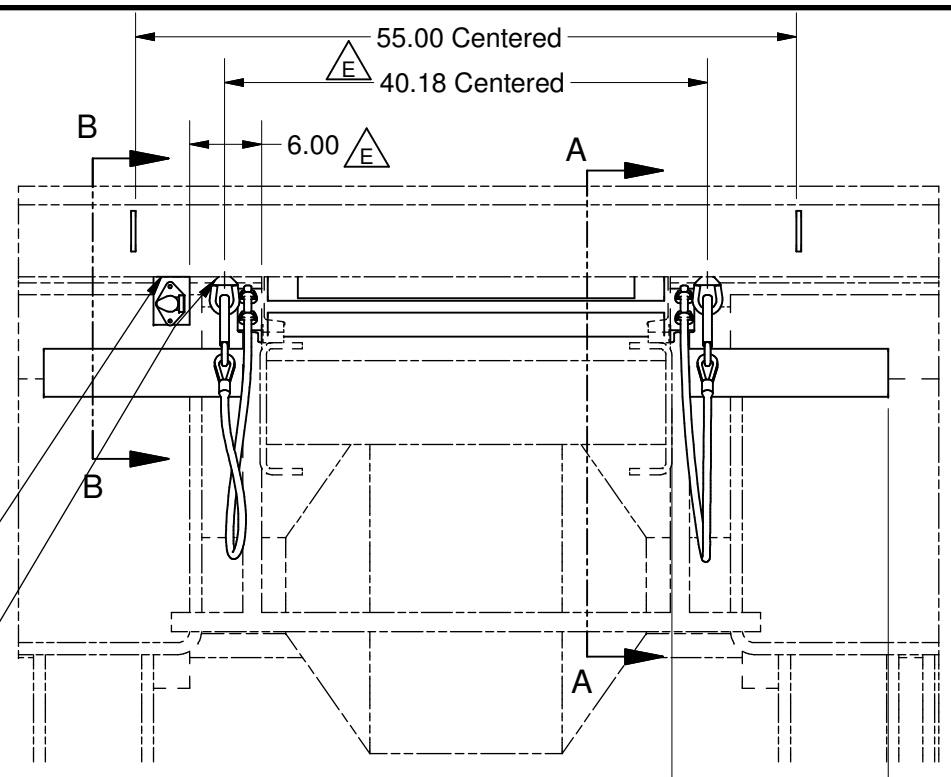
2401 S Delaware St.
Denver, CO 80223

PAPER SIZE	PART DESCRIPTION	PART NUMBER
A	Truck Mount, Burro	101424A

DATE: 4/9/2010 | SCALE: None | SHEET 2 OF 4



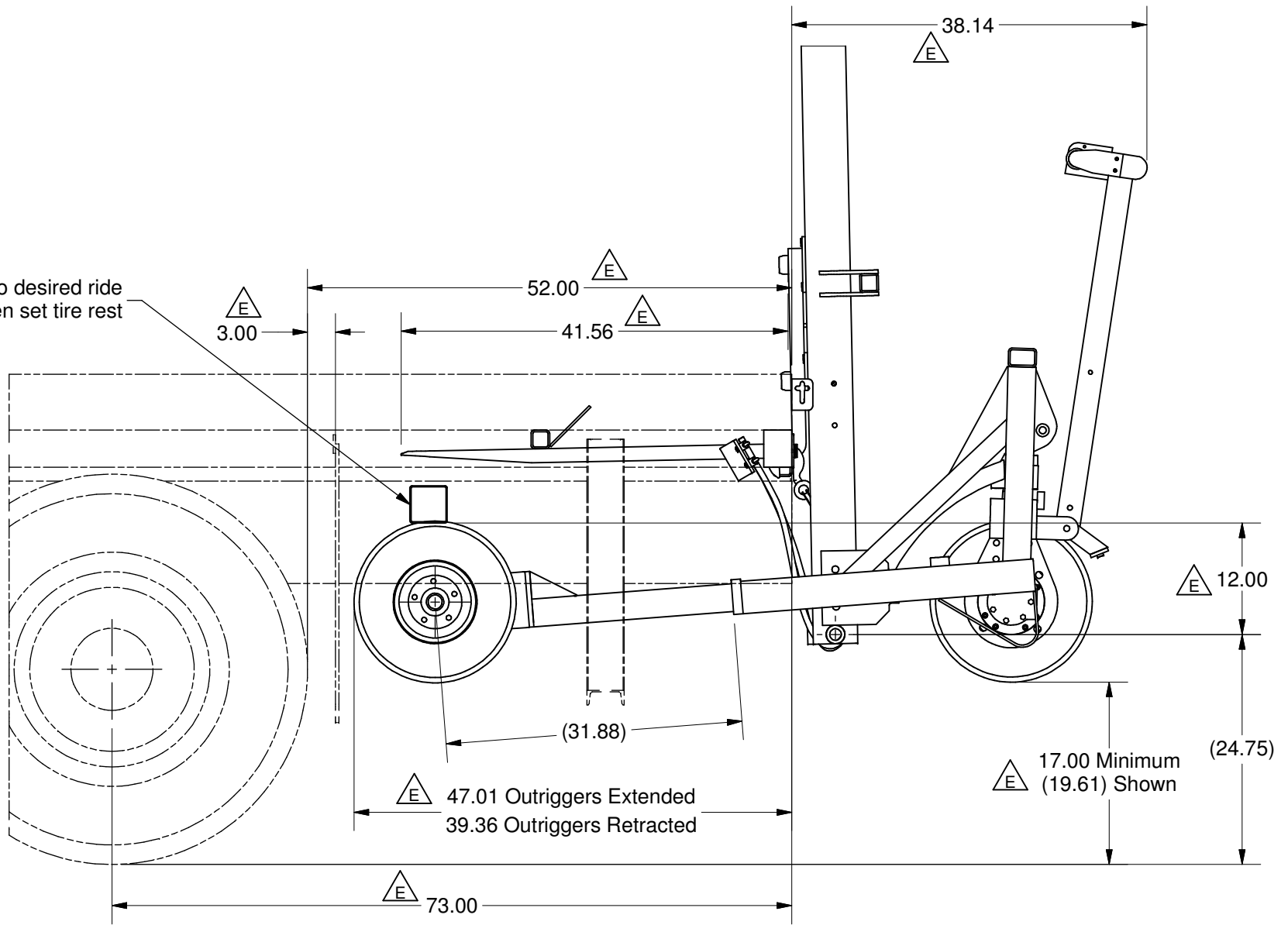
SECTION A-A
SCALE .0625



SECTION B-B
SCALE .0625

DRAWN Brian Gorner APPROVED & DATE			<h1>Quality Corporation</h1>	
TOLERANCES .X= ± 0.060 .XX= ± 0.030 .XXX= ± 0.010			2401 S Delaware St. Denver, CO 80223	
PAPER SIZE A	PART DESCRIPTION Truck Mount, Burro	PART NUMBER 101424A		
DATE: 4/9/2010		SCALE: 1:16	SHEET: 3 OF 4	

Adjust cable to desired ride height and then set tire rest



DRAWN
Brian Gorner
APPROVED & DATE



Quality Corporation

2401 S Delaware St.
Denver, CO 80223

TOLERANCES
.X = ± 0.060
.XX = ± 0.030
.XXX = ± 0.010

PAPER SIZE	PART DESCRIPTION	PART NUMBER
A	Truck Mount, Burro	101424A
DATE: 4/9/2010	SCALE 1:16	SHEET 4 OF 4